

INSTALLATION INSTRUCTIONS

DESCRIPTION

The **CAM-STAT** heating thermostat is designed for the control of gas, oil, electric, or stoker fire heating systems. It is equipped with a positive snap action switch and a spiral type bi-metal element for sensitive control.

SPECIFICATIONS

SWITCHING ARRANGEMENT:

Single pole, Single throw

ELECTRICAL RATING:

T17H-100 series (Adjustable Anticipation)
Low voltage – 20-30 VAC

T17H-200 series (Fixed Anticipation)
Low voltage – 20-30 VAC

T17H-300 series
Millivolt only

THERMAL DATA

RANGE:

Adjustable: 60 to 90° F

OPERATION:

Closes circuit on temperature decrease at pointer setting.

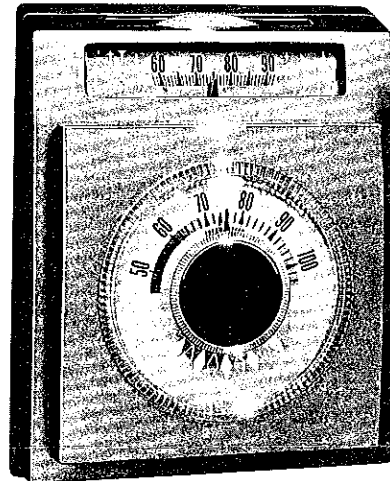
LOCATION

Locate thermostat no lower than four feet above the floor on an **INSIDE** wall.

DO NOT INSTALL:

1. Where it will be affected by heat (sunlight, lamp, etc.) or cold (drafts from windows, etc.).
2. Where the air circulation is poor (in a corner, behind a door, etc.).

T17H HEATING THERMOSTAT



INSTALLATION

1. REMOVE THERMOSTAT COVER

Grasp the bottom rim of base with the left hand, and pull the cover off in the direction of the arrow with the right hand. (See Fig. 1)

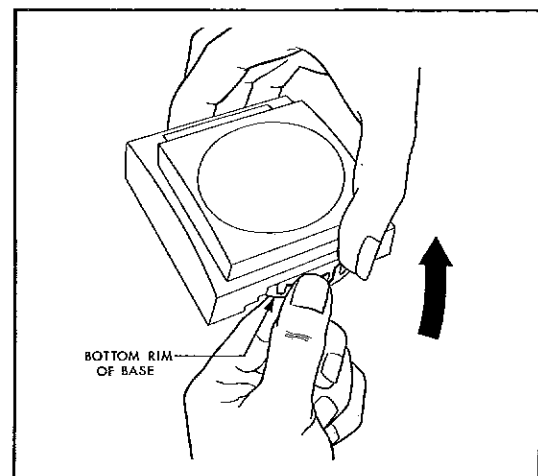


Fig. 1

MOUNTING (Continued)

2. INSTALL THERMOSTAT

- A. The cardboard insert that holds the bi-metal element rigid during shipping should be carefully removed. (See Fig. 2)
- B. For units equipped with adjustable heat anticipator, set pointer to value corresponding to rated current of primary heating control. If a longer "ON" cycle is required, move pointer to the right. For a shorter cycle, move to the left. (See Fig. 2)
- C. Fasten thermostat directly to wall, using the two wood screws supplied. (See mounting holes in Fig. 2)
- D. Connect lead wires to terminal screws as shown in Figure 2.

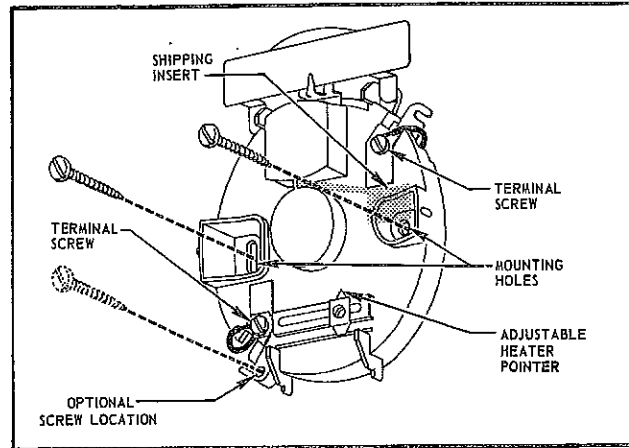


Fig. 2

3. REPLACE THERMOSTAT COVER

- A. Place slotted portion of cover (C) over adjusting lever (see Fig. 3).
- B. Push bottom of cover (C) toward thermostat (T) until it snaps into place.

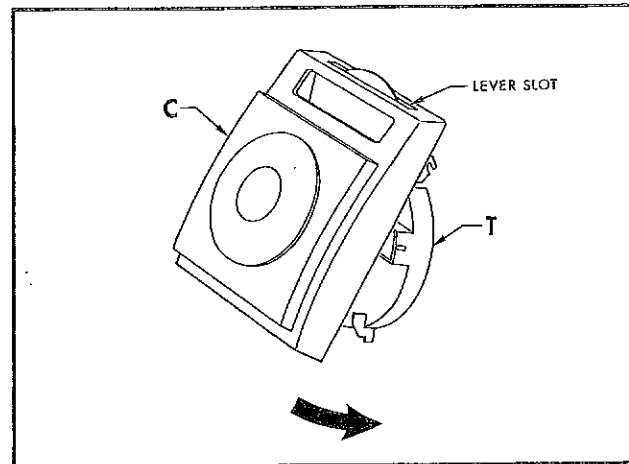


Fig. 3

WIRING DIAGRAMS

