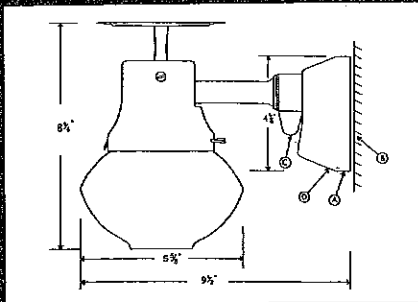


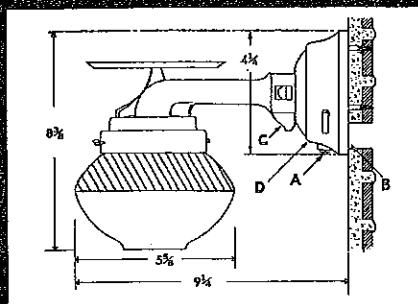
## Humphrey Gas Lamps in Use

### Instructions

For Installing and Operating  
Humphrey Series No. 3 and No. 4  
Wall Mounting Gas Lamps



Series No. 4 Gas Light



Series No. 3 Gas Light

FOR BEST RESULTS USE ONLY GENUINE  
HUMPHREY MANTLES AND GLOBES

Before connecting lamp to gas supply be sure valve is in "OFF" position. Check all fittings and connections for leaks with a soap solution before attempting to light the lamp.

After mantle has been burned off, insert lighted match through opening in bottom of globe and hold near bottom of mantle. **DO NOT TOUCH MANTLE FABRIC.** Next, turn gas full on with valve handle. **CAUTION — DO NOT TURN ON GAS BEFORE INSERTING MATCH.** Note: When a lamp has first been connected, there may be air in the gas line and several matches may be required before lamp will ignite.

Gas valve should never be turned on until after lighted match is inserted.

Lights can generally be operated with air shutter wide open. When first lighted they will sometimes make a slight hissing sound. This will normally disappear in a few minutes after light has warmed up. If so, close air shutter slightly.

If light pulsates after burning for awhile this indicates low pressure or undergassing. See your gas dealer or contact light manufacturer.

If light flames or carbon spots appear, this indicates overgassing. See your gas dealer or contact light manufacturer. Next, check inside of Bunsen Tube. Spiders and other insects sometimes enter through the air openings when lamps have not been in use and we often find that a spider web in the bunsen causes black spots on the mantle.

When the portion of your gas light next to the wall becomes hot there is no cause for alarm. This is the nature of this type of appliance and while it feels hot to the touch it does not become hot enough to create a hazard.

With a minimum amount of care your light will give you years of trouble-free service and provide instant light whenever and wherever you need it.

Congratulations on your purchase of this Humphrey Gas Light. Its design and construction are based on more than 65 years of gas light manufacturing experience. You will find that it is easy and economical to operate and will give you many years of dependable lighting service.

#### INSTALLING YOUR LAMP

1. The No. 3 or 4 Series Bracket or Wall Light is easily installed. There are two gas supply inlets to the valve body "A" or "B". As "B" is more often used, this is supplied open while "A" is plugged. Reverse if bottom connection is desired.
2. Copper Tubing for gas supply of  $\frac{1}{4}$ " outside diameter is recommended for short runs and tubing of  $\frac{3}{8}$ " outside diameter for longer runs or for installations where more than one light is used. The Tubing Connector, for attaching tubing to the light valve, is included in the small envelope containing screws.
3. As shipped, the bracket back plate which holds valve body is detached from burner body. It is usually more convenient to connect the tubing before screwing plate to wall. Do not put a strain on union or valve as light will not operate properly if valve is cocked to one side. When installing light allow 6 inches clearance between top of heat deflector and ceiling to prevent overheating.
4. Gas lights for wall attachment are now supplied with Parker-Kalon screws threaded close up to head. They will hold back plate firmly in hard wall board as thin as  $\frac{1}{8}$ ". Just start an awl or drill hole smaller than screw and it will cut its way solidly through to head.
5. After installing back plate, install Bunsen and body shell "D". These are attached to back plate with screws provided.
6. The globe is held by a spring ring. Press the loop ring ends together and put globe up into the holder. When globe is in position release the spring ends and the ring will close around globe neck. Give globe a slight pull to see that it is firmly held.

#### INSTRUCTIONS FOR INSTALLING MANTLE

Use Only Genuine Humphrey Beret Mantles

Tie single knot in string at throat of mantle. Work fingers into throat of mantle to enlarge throat so that it will slip over burner nose and seat in groove shown Fig. 1. Distribute puckers in mantle evenly around burner nose. Pull ends of string snugly so that mantle and string are seated securely in burner nose groove, as in Fig. 2. Tie double knot and chip off excess string as shown Fig. 3. It is recommended that a new Beret Mantle be lighted at the bottom allowing fabric to burn completely before turning on gas.

**CAUTION** — Mantle has now become a chemical ash and must not be touched. It is misshapen and requires further burning to shrink to its final form.

Turn on and light gas and mantle will soon be properly shaped. Allow gas to burn for at least 5 minutes.

Put globe on carefully and lamp is ready for continued brilliant operation.

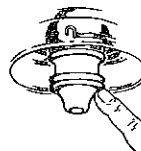


FIGURE 1.



FIGURE 2.



FIGURE 3.

#### TO LIGHT OPERATING INSTRUCTIONS

Humphrey Lamps are designed for use on Liquefied Petroleum (Butane and Propane) Gases at a pressure of 11" water column. (6 oz.).

**DO NOT ATTEMPT TO USE THIS LIGHT ON NON-REGULATED HIGH PRESSURE GAS.**