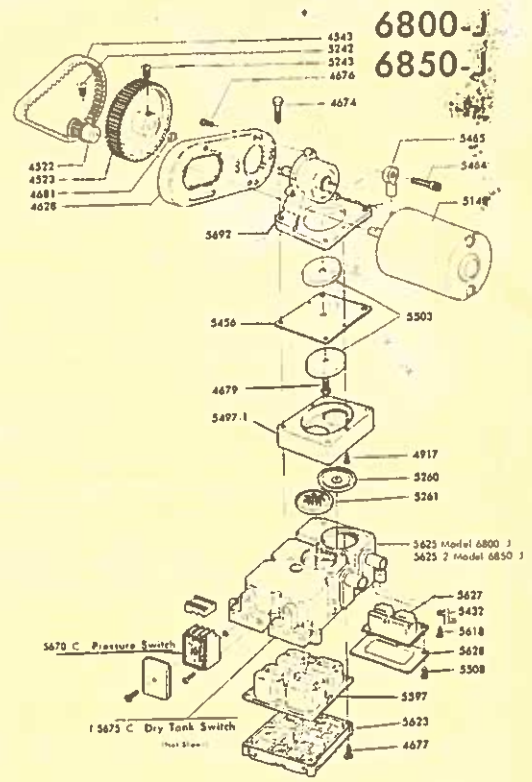
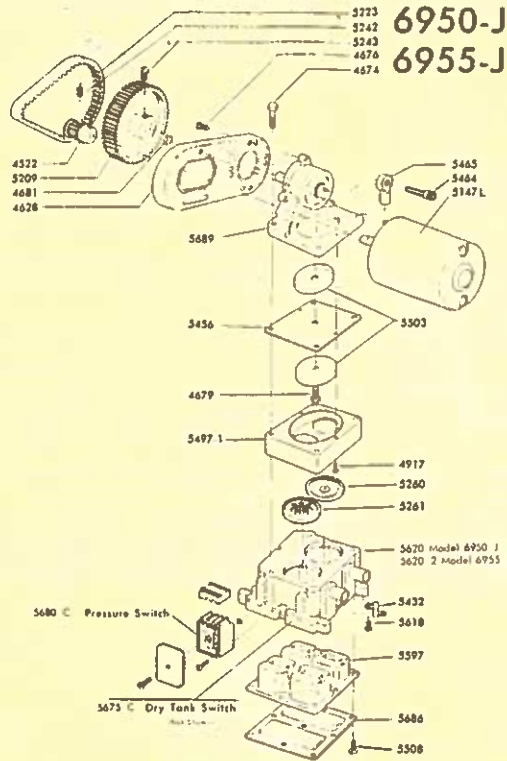
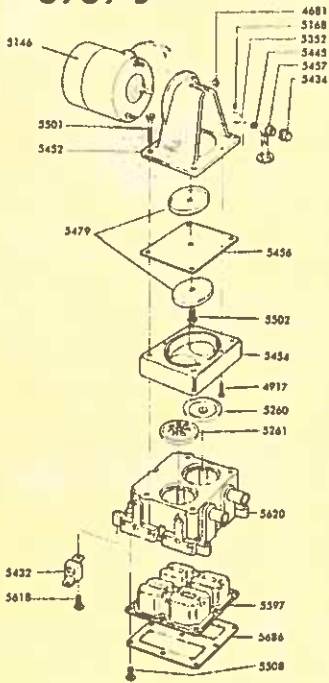
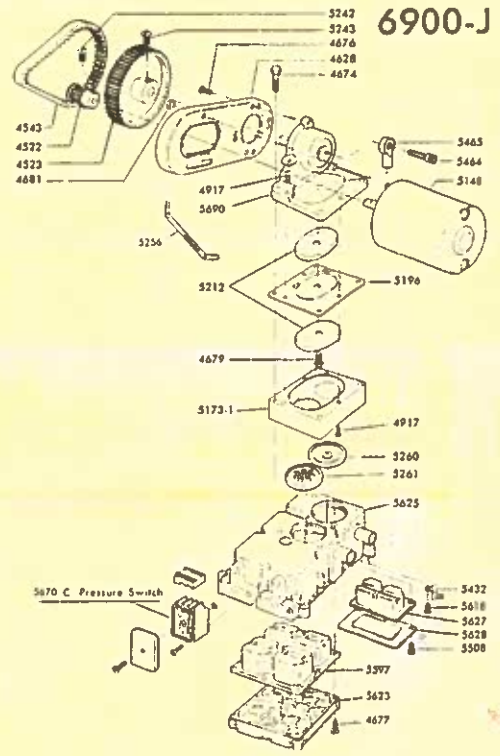
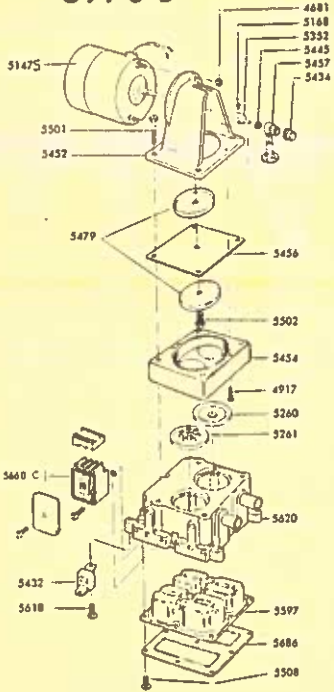


### 6969-J



### 6970-J



## PUMP PARTS LIST

CAUTION ALL REPLACEMENT PARTS MUST BE SAME AS ORIGINAL EQUIPMENT.

Part No.	Description	Price
4522	Small Pulley	\$ 2.50
4523	Large Pulley	3.25
4543	Belt	4.25
4628	Motor Mount D.C.	1.95
4674	Tie-Down Screw	.15
4676	Motor Bracket Screw	.15
4677	Screw	.25
4679	Diaphragm Screw	.50
4681	Motor Nut	.10
4684	Screw	.10
4917	Screw	.10
5146	Motor (Kit #202) 12-volt	14.50
	32-volt	19.00
5147-L	Motor (Kit #208) 12-volt	17.00
	32-volt	19.00
5147-S	Motor (Kit #201) 12-volt	17.00
	32-volt	19.00
5148	Motor (Kit #200) 12-volt	17.00
	32-volt	19.00
5168	Eccentric Screw	.10
5196	Diaphragm (Kit #16)	3.50
5209	Pulley	3.50
5212	Diaphragm Plate	.60
5223	Belt	4.25
5242	Screw	.10
5243	Screw	.10
5256	Brace	.25
5260	Intake Valve Assy.	
5261	Discharge Valve Assy. (Kit #4)	2.25
5352	Eccentric	1.50
5432	Vibration Pad	.35
5434	Connection Rod Cover	.25
5445	Thrust Washer	.10
5452	Motor Mount	3.00
5454	Diaphragm Ring	4.50
5456	Diaphragm (Kit #15)	1.75
5457	Connecting Rod	1.90
5464	Connecting Rod Screw	.30
5465	Connecting Rod Assembly	6.00
5479	Diaphragm Plate	.50
5173-1	Diaphragm Ring	3.25
5497-1	Diaphragm Ring	3.00
5501	Tie-down Screw	.15
5502	Diaphragm Screw	.15
5503	Diaphragm Plate	.50
5508	Screw	.10
5597	Pulsation Dampener	2.50
5618	Screw	.10
5620	Base Assembly Model 6950-J	10.50
5620-2	Base Assembly Model 6955-J	10.50
5623	Bottom Cap	3.75

5625	Base Assembly Model 6800-J	11.50
5625-2	Base Assembly Model 6850-J	11.50
5627	Pulsation Dampener	1.75
5628	Bottom Plate	1.00
5647	A.C. Motor 115 Volts	70.00
5648	Capacitor for 5647 Motor	3.15
5649	Relay for 5647 Motor	6.30
5660-C	Pressure Switch	12.75
5661	Motor Adaptor for 5647 Motor	2.75
5670-C	Pressure Switch	12.75
5671	Box for Capacitor and Relay	2.25
5675-C	Dry Tank Switch	12.75
5680-C	Pressure Switch	12.75
5686	Bottom Plate	1.00
5689	Jack Shaft Assy.	14.00
5690	Jack Shaft Assy.	14.00
5692	Jack Shaft Assy.	14.00

#### IMPORTANT!

WHEN ORDERING REPAIR PARTS, ALWAYS GIVE THE FOLLOWING:

1. PUMP No.
2. SERIAL No
3. PART No.
4. PART NAME

ON EACH ELECTRIC PUMP

INTERIOR LIGHTING

ILLUSTRATION FOR 12 VOLT SYSTEM

